

**OWNER'S MANUAL
WARNING**

**FAILURE TO FOLLOW THESE
WARNINGS MAY RESULT IN
SERIOUS INJURY AND/OR
PROPERTY DAMAGE.**

Owner must ensure that all players know and follow these rules for safe operation of the unit.

Do not hang from any part of the unit, including the backboard, rim, or net.

Do not slide, climb, or play on pole. Keep organic material away from pole base. Grass, litter, etc. could cause corrosion and /or deterioration.

Check pole system twice a year for signs of corrosion (rust, pitting, chipping). Remove rust and/or loose paint completely and repaint with exterior enamel paint. If rust has penetrated through the steel anywhere, replace pole immediately.

Check unit before each use for loose hardware, excessive wear, and signs of corrosion and repair before using.

During play, use extreme caution to keep players' faces away from the backboard, rim, and net.

Wear a mouth guard when playing to avoid dental injuries.

When adjusting height, keep hands and fingers away from moving parts.

During play, do not wear jewelry (rings, watches, necklaces, etc.). Objects may entangle in net.

These units can be lowered to 5.5 feet. Adult supervision of children is required to ensure their safety during use.

Barbarian Basketball Systems™



MODEL NUMBERS

Barbarian 60" Acrylic Adjustable	Barbarian 60" Fixed Height Acrylic
Barbarian 72" Acrylic Adjustable	Barbarian 72" Fixed Height Acrylic
Barbarian 60" Glass Adjustable	Barbarian 60" Glass Fixed Height
Barbarian 72" Glass Adjustable	Barbarian 72" Glass Fixed Height

Thank you for purchasing the Barbarian Basketball System. We try hard to ensure that our products are of the highest quality and free of manufacturing defects and of missing parts. However, if you have any problems with your basketball system, such as a manufacturing defect or a missing part, please **DO NOT RETURN IT TO THE STORE**. Call us at:

TOLL FREE 1-800-921-5310 FAX: (800) 921-5310

Or write us at:

CUSTOMER SERVICE DEPT., 3340 Applecross Lane Cumming, GA 30041

Please provide model number, serial number, and/or part number of the product and/or part when you call or write. These numbers can be found on the product, packaging, or in this owner's manual.

Do not tighten hardware until instructed to do so. If hardware is tightened too soon, mounting holes may not align and parts may not fit together. Leave locknuts slightly loose until you are instructed to tighten them. Read this manual all the way through before starting to put up your pole. Then read each step completely before beginning that step. Some smaller parts may be shipped inside larger tubes. Check inside tubes before assembling or ordering parts. *To make assembly of your basketball pole easier, use the Hardware Identifier on page 14 to identify and sort all fasteners.*

Barbarian Basketball Systems™ 1-800-921-5310

www.barbarianbasketballsystems.com

WELCOME TO THE FAMILY OF BARBARIAN BASKETBALL SYSTEM™ OWNERS!

In order to have the safest fun and longest use of your Barbarian Basketball System™, please note and heed the following:

1. Prior to main post preparation and goal assembly, call utility services for location of underground utility lines before you dig.
2. Vertical main post assembly is a two-part process.

PART 1

Day 1. Complete Anchor System Installation per following Instructions.

Day 2. Allow concrete to cure.

Day 3. Allow concrete to cure.

Day 4. Allow concrete to cure.

Day 5. Allow concrete to cure.

Day 6. Allow concrete to cure.

PART 2

Day 7. Complete Barbarian Basketball System™ assembly instructions.

3. For safety measures have at least 3 capable persons to assist you in assembly of your Barbarian Basketball System™.

WARNING

Before digging the hole for this pole, check for buried power, gas, water, and telecommunication lines! Failure to do so could result in serious or fatal injury! Contact your local utility company if unsure.

ANCHOR SYSTEM INSTALLATION INSTRUCTIONS (Day 1)

1. Determine the location of the goal. Position the hole close to the playing surface without making contact. Dig a hole 24" x 24" square and 48" below the playing surface. Note softer soil will require a larger hole. (See Figure 1 detail)
2. Assemble anchor system as follows: Screw nuts on to the threads 4" down on the anchor bolt. Insert threads of anchor bolt through hole on anchor plate and secure with another nut. Repeat this step for the remaining anchor bolts. (See Figure 1).

*** NOTE the distance from the front of the pole to the front of the backboard is 48" ***

Note the direction of the J-Bolts is really not that important, however we would recommend that all four point to the center of the template as shown.

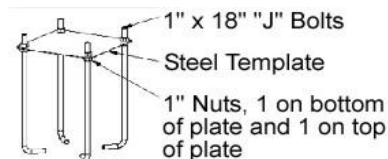
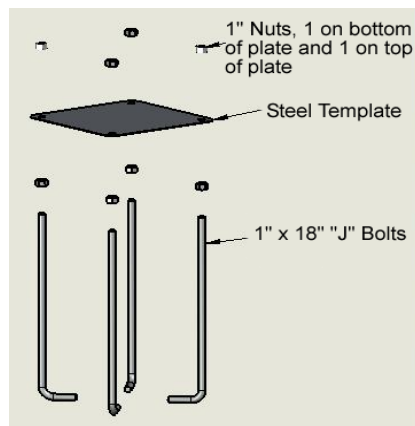


Figure 1

ANCHOR SYSTEM INSTALLATION INSTRUCTIONS

(Day 1) continued:

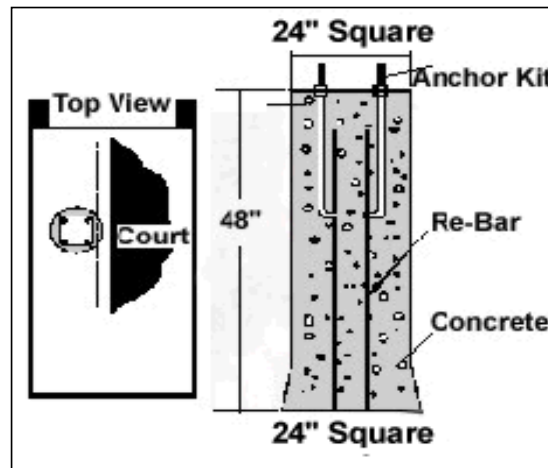
1. Mix and pour concrete into hole. Follow instructions on concrete bag. Stop about 18" below court level.
2. Insert four reinforcement bars into concrete 8" apart creating a square in center on hole.
3. Finish pouring concrete up to court level.
4. Push anchor system into concrete and agitate to work out voids in concrete. Immediately use a level to level and square anchor plate to playing surface. Clean off any concrete that may be on exposed threads.

Note: The bottom four nuts will be forever embedded in concrete.

Let concrete stand for a MINIMUM of 7 days.

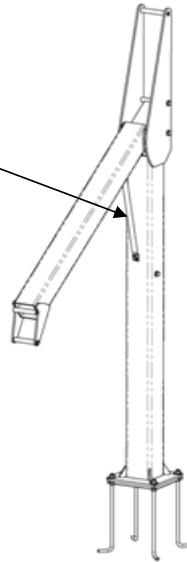
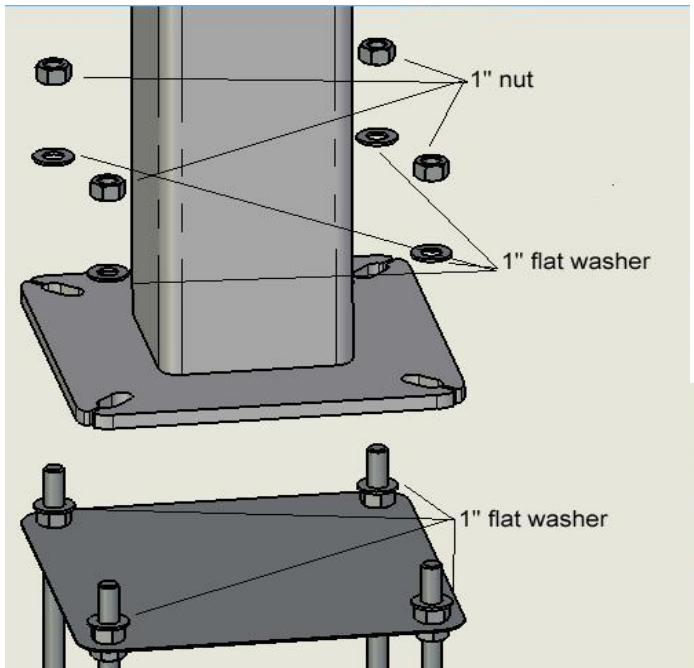
NOTE: For fixed height systems the top of the anchor plate should be about 1" - 2" below the playing surface to allow for leveling of the unit during assembly.

Figure 1 Detail



Anchor plate must be square to the court so the backboard will line up properly.

*** Note that the GAS STRUT is shown installed in this picture, however it should be installed after the entire goal has been assembled. ***



In this step, 3 or 4 adults will need to stand up the assembled pole section onto the four bolts sticking up from the concrete. Note that the pole will actually sit on top of the nuts that have been threaded onto the bolts and the washers that are placed on top of the nuts. **These nuts should be level, if not, level them to each other before placing the pole on top of them. This step will ensure that the pole will be level after assembly.**

Next place a 1" washer on each bolt sticking through the base plate. Tighten the four remaining nuts on top of the base plate, as shown in (figure 2).

NOTE: *The gas strut is installed LAST*****

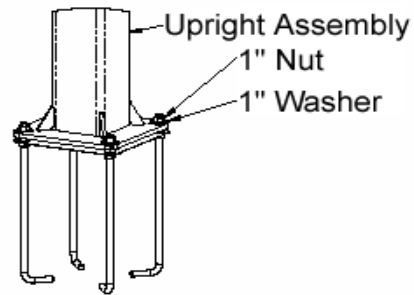
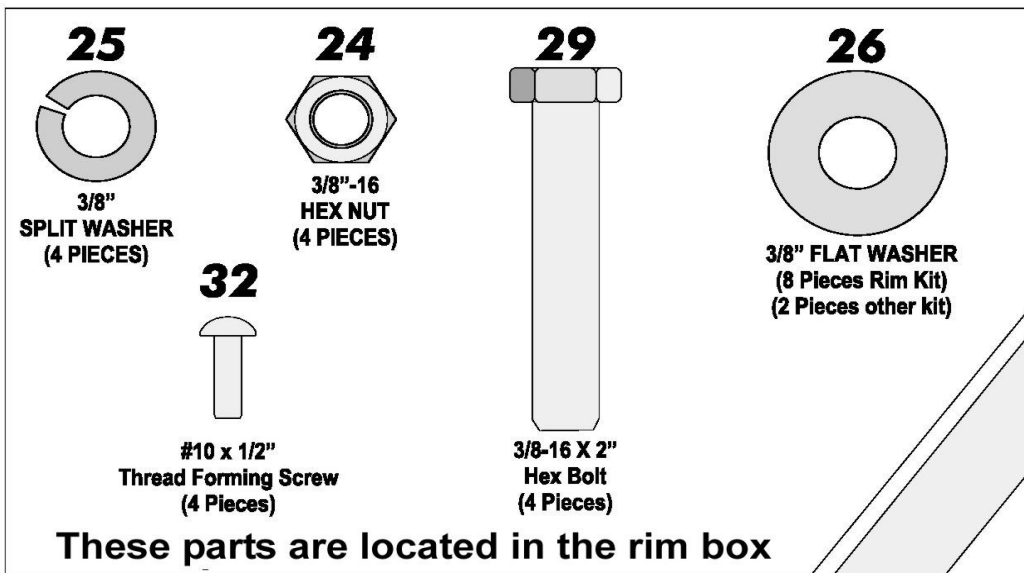
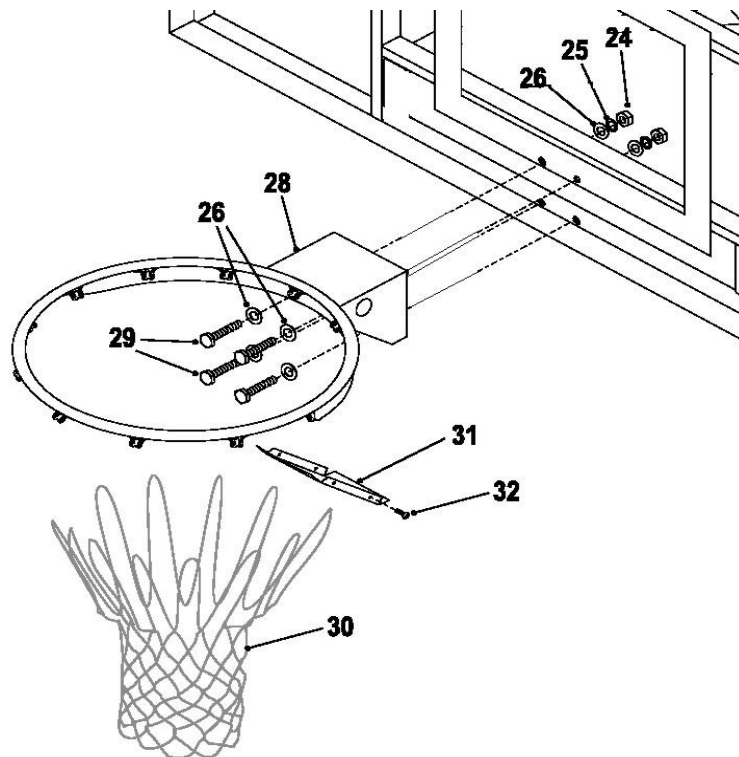
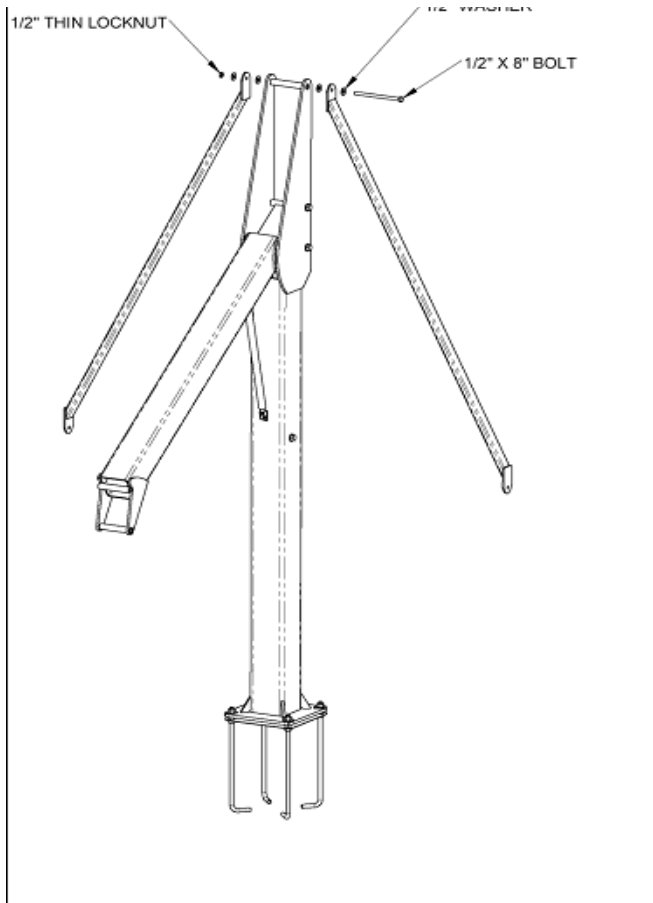


FIGURE 2

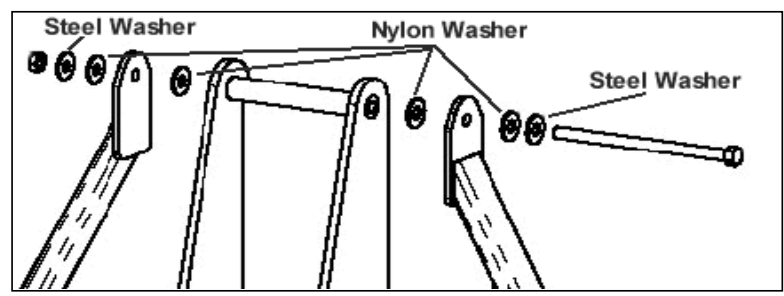


Install the rim on the backboard before you attach the backboard to the main arm.



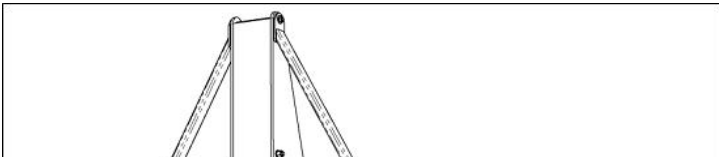


Detailed View



In this step find the long 1/2" bolt and place a 1/2" steel flat washer and then a 1/2" nylon washer onto it. Insert the bolt through a strut arm as shown. Now place a 1/2" nylon washer onto the bolt. Insert the bolt with the strut arm through the main pole. Next place a 1/2" nylon washer onto the bolt followed by the other strut arm. Finally place a 1/2" nylon washer then a 1/2" flat steel washer and a 1/2" lock nut on the bolt. Be sure to tighten snugly. These parts should be tight but they must also be able to move as the system is adjusted up and down.

6.



In this step, three able adults will be needed. Lower the main arm as low as it will go using the crank handle. It is helpful to have someone hang on the end of the arm during this process

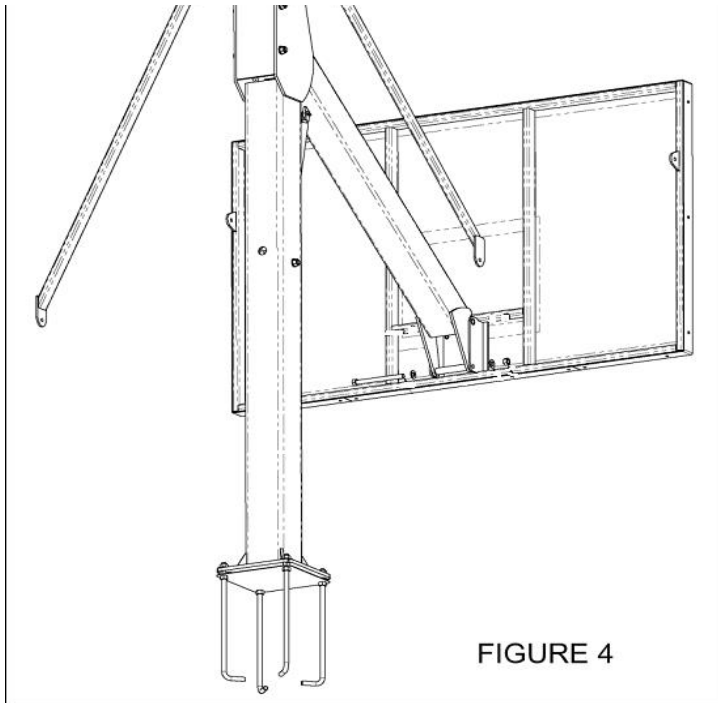
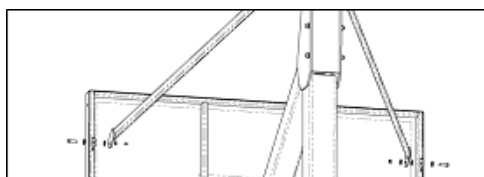
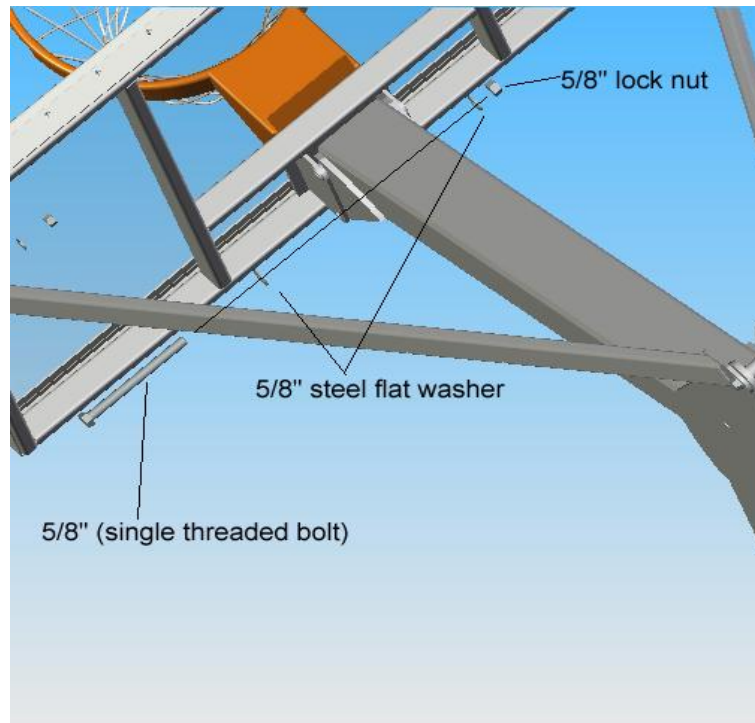
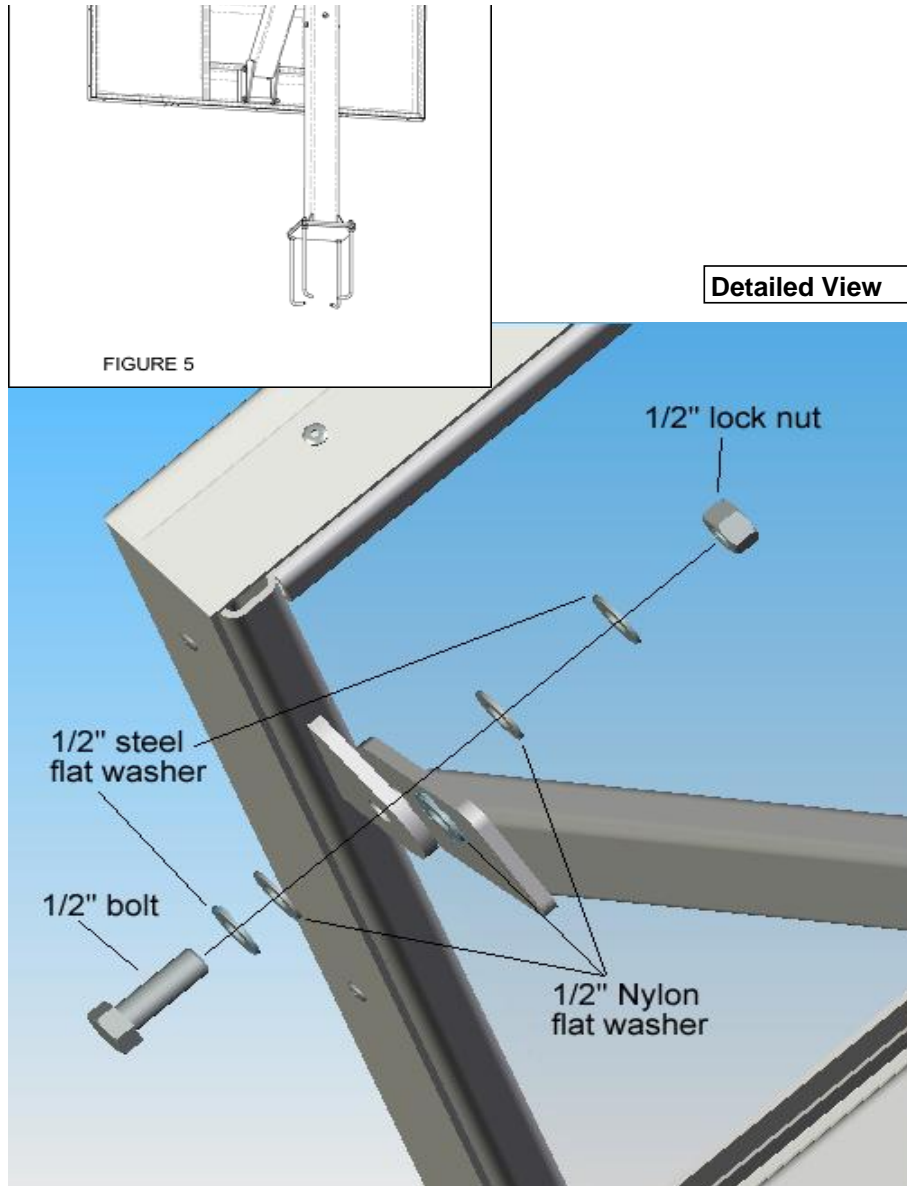


FIGURE 4

the end of the arm during this process it will make it much easier to crank down the arm. Have two adults, one holding each end of the bottom of the backboard and place the center of the bottom hole on the mounting plate onto the main arm assembly. Note that the arm should be between the two vertical plates on the backboard bracket. Now the third adult should take the 5/8" single threaded bolt and place a 5/8" steel flat washer and then a 5/8" nylon washer onto it. The bolt should then be inserted through the backboard mounting bracket and the main arm. Once through the assembly and out the other side place a nylon washer then a flat steel washer and then the 5/8" lock nut on the bolt. Tighten the nut snugly. Now the two adults can hold the top portion of the backboard for the placement of the upper strut arms to the backboard.

Detailed View





With the two adults holding the top of the backboard in a vertical position, the third adult can attach the two strut arms to the top of the backboard at the mounting points. Note in the picture above place a 1/2" flat steel washer onto the 1/2" bolt, then a 1/2" flat nylon washer. Then insert the bolt through the backboard bracket and place a 1/2" nylon washer on the bolt. Next place the strut arm onto the bolt. Finally place a 1/2" nylon washer then a 1/2" steel flat washer and then a 1/2" lock nut on the end of the bolt. Tighten snugly. Repeat for the other side.

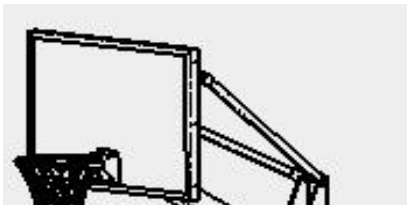
8.



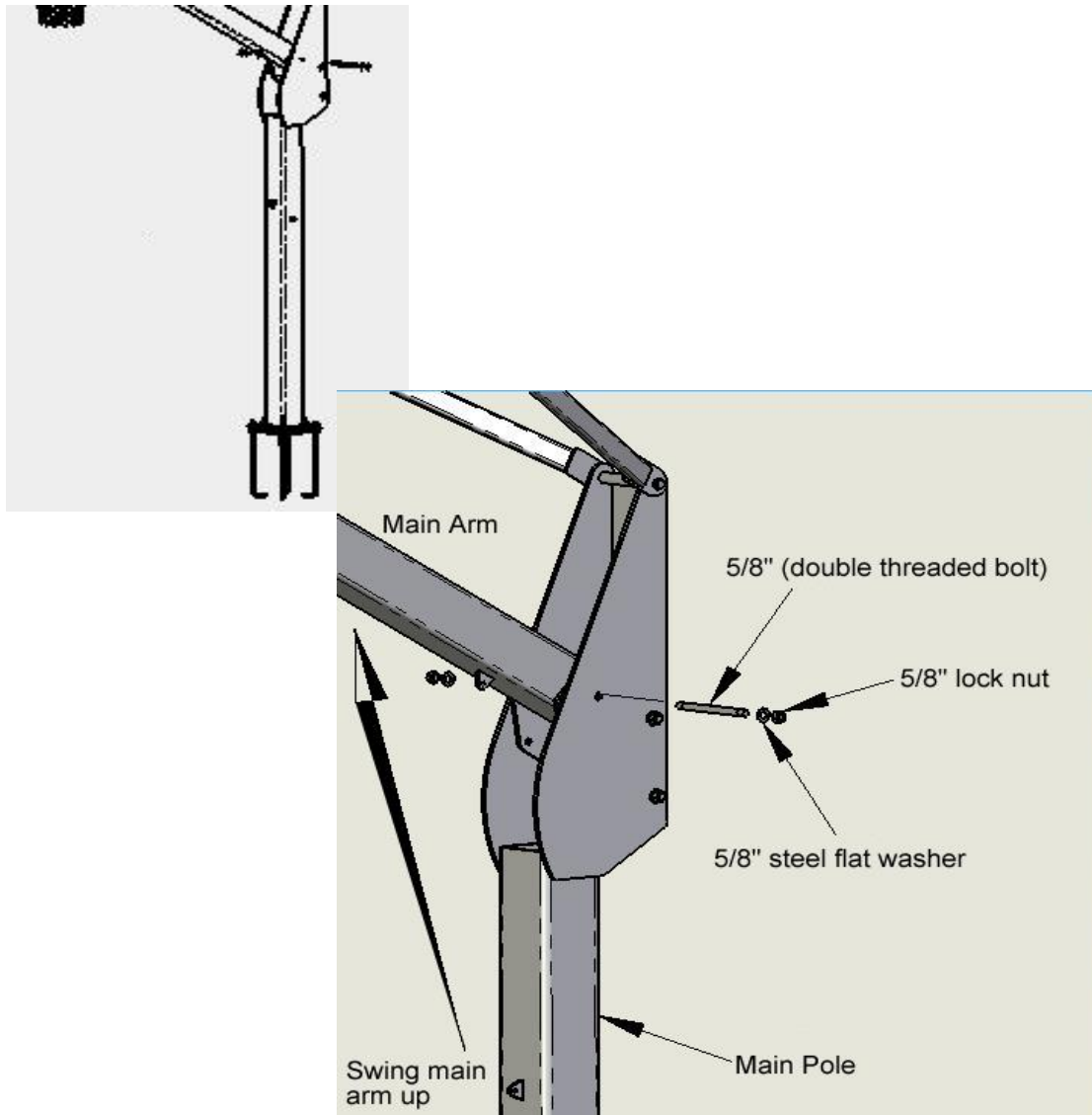


The gas strut will require the installation of a clevis pin on each end of the strut. Unclip the pin section and remove. Then simply screw the pin assembly onto the end of the gas strut. Now put the gas strut in place on the main arm first. Once the main arm has been inserted and attached to the main pole you must crank the main arm up until the bottom end of the gas strut can be attached to the main pole. You can use a socket wrench for this cranking operation. Once the bottom end of the gas strut lines up with the connection point on the main pole insert the pin and clip section of the clevis pin through the hole and clip shut.

9.



Fixed Hieght Systems



For the **fixed height systems** the assembly will be the same as with the adjustable systems with the exception that there will be no crank jack, crank handle or gas strut to mount. After the unit is put together the arm will be in its lowest position. To place the goal at the fixed 10" height, two to three able men will need to raise the backboard which is now attached to the main arm, up to the position where another able man can insert a 5/8" double threaded bolt through the fixed height position hole as shown above. It will be helpful to have a nut and a washer on one end before starting the bolt through the pole. After the bolt is through the pole, tighten both nuts completely.

10.

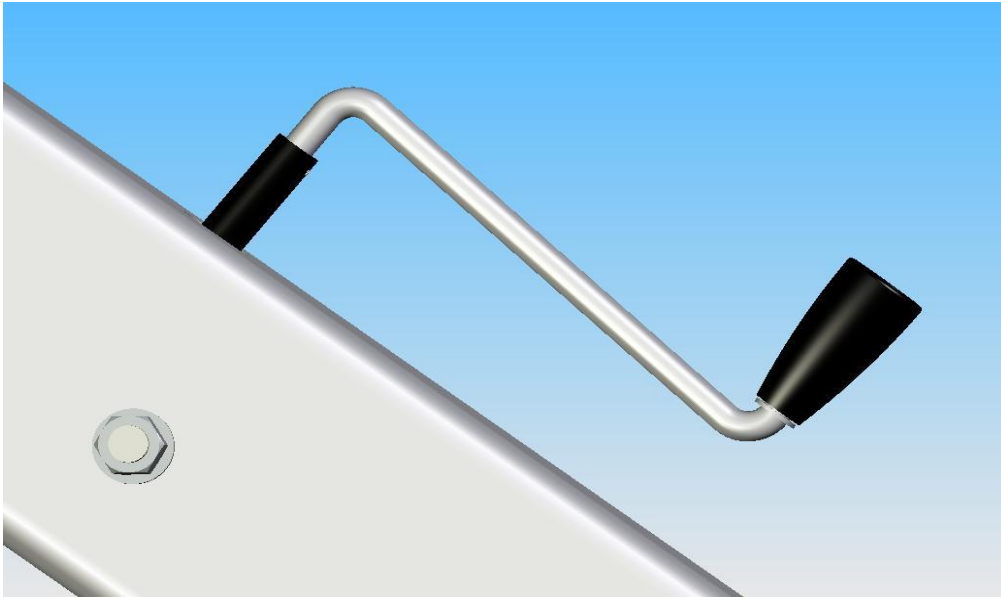
BARBARIAN BASKETBALL SYSTEMS™ CARE INFORMATION

- BACKBOARD -

Items needed to clean backboard:

- 100% cotton soft cloth, (only)
- Mild dish washing liquid for soap
- Lukewarm water

- Mild plastic polish to minimize scratches
Rinse backboard with lukewarm water. Wash gently with a 100% cotton soft cloth, lukewarm water and mild soap. Do not scrub. Rinse backboard with lukewarm water again. Dry with 100% cotton soft cloth. To minimize scratches and minor abrasions to your backboard, apply a mild polish such as Johnson's Paste Wax, Novus Plastic Polish #1 or Mirror Glaze Plastic Polish. Strong cleansers will damage backboard and void warranty.
- Nicks in the powder coating can be touched-up with enamel paint applied with a Q-Tip or small brush.



Your Barbarian Basketball System™ is equipped with a removable crank handle. The crank handle is built with a shear pin that is designed to break if the unit is forced in a position higher than 10' or lower than 5.5'. This feature is to protect the internal jack and its components. In the event that the shear pin is broken due to such activity, a new pin will be sent out per written request to the warranty department.

11.

LIMITED LIFETIME WARRANTY

This consumer warranty extends to the original consumer purchase of any Barbarian Basketball Systems Inc. Product (hereinafter referred to as the "Product").

WARRANTY COVERAGE: Barbarian Basketball Systems Inc. warrants to the original Consumer Purchaser that any Product of its manufacture is free from defects in material and workmanship. **THIS WARRANTY IS VOID IF THE PRODUCT HAS BEEN DAMAGED BY ACCIDENT, UNREASONABLE USE, NEGLIGENCE, IMPROPER SERVICE, FAILURE TO FOLLOW INSTRUCTIONS PROVIDED WITH THE PRODUCT OR OTHER CAUSES NOT ARISING OUT OF DEFECTS IN MATERIAL OR WORKMANSHIP.**

Subject to proper installation and normal use, Barbarian Basketball Systems Inc. warrants, subject to the limitations below, to the original retail purchaser all structural components of the Barbarian Basketball Systems™ to be free of defects in

material and workmanship for the duration of ownership by the original retail purchaser. Merchandise must be shipped prepaid with a copy of proof of purchase to Barbarian Basketball Systems Inc. factory for examination to determine if the basketball system needs to be repaired or replaced. Any labor costs, travel expenses and any other changes involved in the removal, installation or replacement of the defective/repaired parts from/to your Barbarian Basketball System™ will be the purchaser's responsibility. Shipping charges for replaced or warranted merchandise sent back to the customer from Barbarian Basketball Systems Inc. factory must be prepaid by the customer in advance. If not, the replacement shipment will be sent out collect. Barbarian Basketball Systems Inc. reserves the right to examine photographs or physical evidence of merchandise claimed to be defective, and to recover said merchandise, prior to authorization of warranty claims. A "Returned Goods Authorization" number may be required, please call for details prior to the return of any photographs or merchandise.

This limited lifetime warranty is expressly in lieu of all warranties, expressed or implied, including warranties of merchantability or fitness for use. Barbarian Basketball Systems Inc. does not assume or authorize any person or representative to assume for us, any other liability in connection with the sale of our products. The remedy of repair or replacement stated above is Barbarian Basketball Systems Inc. exclusive remedy. Barbarian Basketball Systems Inc. will not be liable for any other damages or expenses which may incur, including but not limited to incidental or consequential damages. Barbarian Basketball Systems Inc. assumes no other obligations or liability on the part of the purchaser, and Barbarian Basketball Systems Inc. neither assumes nor authorizes any other person to assume for it any other liability in connection with the goods sold. This warranty shall not apply in any manner to parts or accessories not manufactured by Barbarian Basketball Systems Inc.

NOT COVERED BY THIS WARRANTY

Any merchandise subjected to abuse, negligence, improper installation, vandalism, acts of God, alteration of product, or any other events beyond the control of Barbarian Basketball Systems Inc. Paint or rusted parts. Tempered glass backboards, crank jack, gas strut.

Rims are not warranted for any defects other than workmanship. Torn back plates, damaged springs, bent rings, damaged eyebolts, and torn or distorted rim supports resulting from hanging on the rim are covered at the discretion of the manufacturer.

Shipping charges both ways will be the responsibility of the customer. Note: Any merchandise shipped to Barbarian Basketball Systems Inc. collect will be refused.

Dealer service charges, labor charges and travel expenses associated with replacement of repair of warranty item.

WARRANTY DISCLAIMERS: ANY IMPLIED WARRANTIES ARISING OUT OF THIS SALE, INCLUDING BUT NOT LIMITED TO THE IMPLIED WARRANTIES OF MERCHANTABILITY AND FITNESS FOR A PARTICULAR PURPOSE, ARE LIMITED IN DURATION.

Barbarian Basketball Systems Inc. SHALL NOT BE LIABLE FOR LOSS OF USE OF THE PRODUCT OR OTHER CONSEQUENTIAL OR INCIDENTAL COSTS. EXPENSES OR DAMAGES INCURRED BY THE CONSUMER OF ANY OTHER USE.

Some states do not allow the exclusion or limitation of implied warranties or consequential or incidental damages, so the above limitations or exclusions may not apply to you. **LEGAL REMEDIES:** This warranty gives you specific legal rights, and you may also have other rights which may vary from state to state.

WARRANTY GUIDELINES ARE REQUIRED FOR ALL WARRANTY CLAIMS

1. Proof of Purchase (original retail purchaser) is required for all warranty claims.
2. Call or write Barbarian Basketball Systems Inc. to receive a Return Authorization # and determine specific needs. Phone: 1-800-921-5310 / Warranty Dept.
Or Write Barbarian Basketball Systems Inc. - 3340 Applecross Lane, Cumming, GA 30041 - Attn: Warranty Dept.

Must register to activate warranty.

12.



1. Place the crank warning sticker on the side of the pole that the crank handle goes into. Place the sticker just above the opening for



Sticker Placement

2. Measure from the top of the rim to the playing



the crank handle.



surface. Have someone crank the unit up or down until the measurement is 10 feet.



3. Now place the arrow sticker on the bottom edge of the main arm close to the main pole. The sticker should wrap around the bottom of the arm.



4. Now place the height indicator sticker on the curved portion of the main arm. Make sure that the 10 foot mark is even with the arrow sticker.



5. The Barbarian Basketball logo sticker should be placed in the lower left side of the backboard. This sticker should be placed on the back of the backboard.