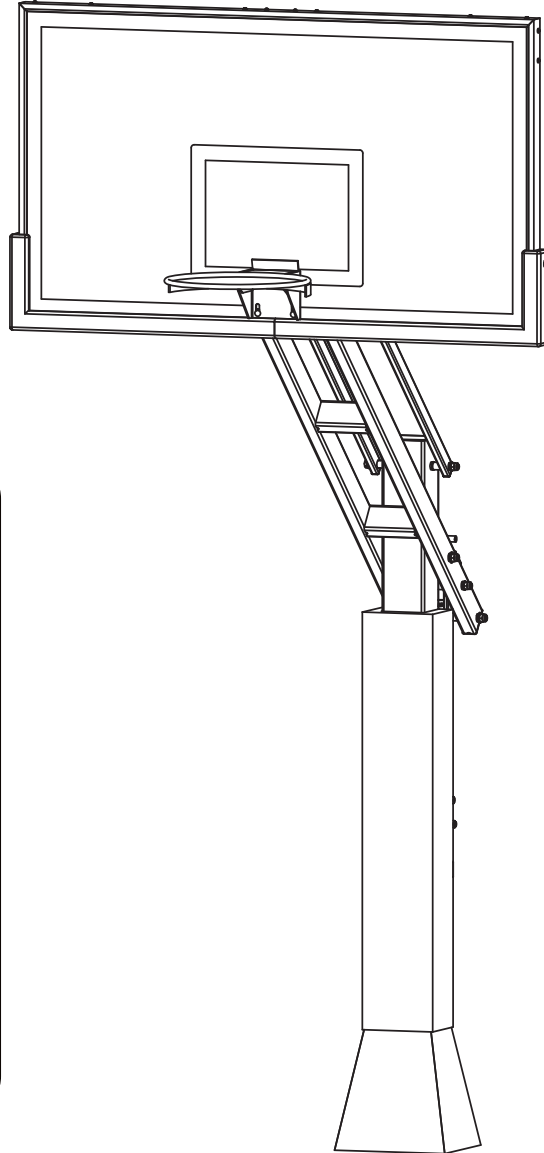


# Barbarian Basketball Systems Inc. Titanium Series

## ADJUSTABLE BASKETBALL SYSTEM ASSEMBLY INSTRUCTIONS AND OWNER'S MANUAL

Model - TP-5X60



### WARNING



FAILURE TO COMPLY WITH ANY OF THE WARNINGS IN THESE INSTRUCTIONS MAY RESULT IN SERIOUS PERSONAL INJURY.

FAILURE TO COMPLY MAY ALSO RESULT IN PROPERTY DAMAGE. PLEASE HEED ALL WARNINGS AND CAUTIONS TO ENSURE YOUR SAFETY.

DO NOT ATTEMPT TO ASSEMBLE THIS SYSTEM WITHOUT CAREFULLY READING AND FOLLOWING ALL INSTRUCTIONS. BEGIN BY IDENTIFYING AND TAKING INVENTORY OF ALL PARTS USING THE PARTS LIST PROVIDED.

Keep this instruction manual in case you have to contact the manufacturer for replacement parts.

TOOLS AND MATERIALS REQUIRED FOR ASSEMBLY  
(Not Included)

- |                          |   |
|--------------------------|---|
| 1. 2 Adjustable Wrenches | 10. Concrete-1/2 yard or 14-16<br>Bags, (80 lb. bags) |
| 2. Socket Set            | 11. Phillips Head Screwdriver                         |
| 3. 9/16" Wrench          | 12. A minimum of 2 Ladders                            |
| 4. 3/4" Wrench           | 13. Carpenter's Level                                 |
| 5. 15/16" Wrench         | 14. Water Supply                                      |
| 6. 1/2" Wrench           |   |
| 7. Hammer or Mallet      |   |
| 8. Tape Measure          |   |
| 9. Shovel                |   |

**\*\*A MINIMUM OF SIX ADULTS IS  
REQUIRED TO LIFT UNIT INTO PLACE\*\***

**STOP!**

**BEFORE YOU START**

**STOP!**

- A. Identify and inventory all parts using the checklist boxes in the parts list. Be sure to keep the hardware bags and their contents separate. If any parts are missing call our Customer Service Department (620-662-2233).
- B. Test fit all Bolts by inserting them into the respective hole. If necessary, carefully scrape away any excess powder coating buildup from inside the holes. Do not scrape away all of the powder coating. Bare metal may rust.



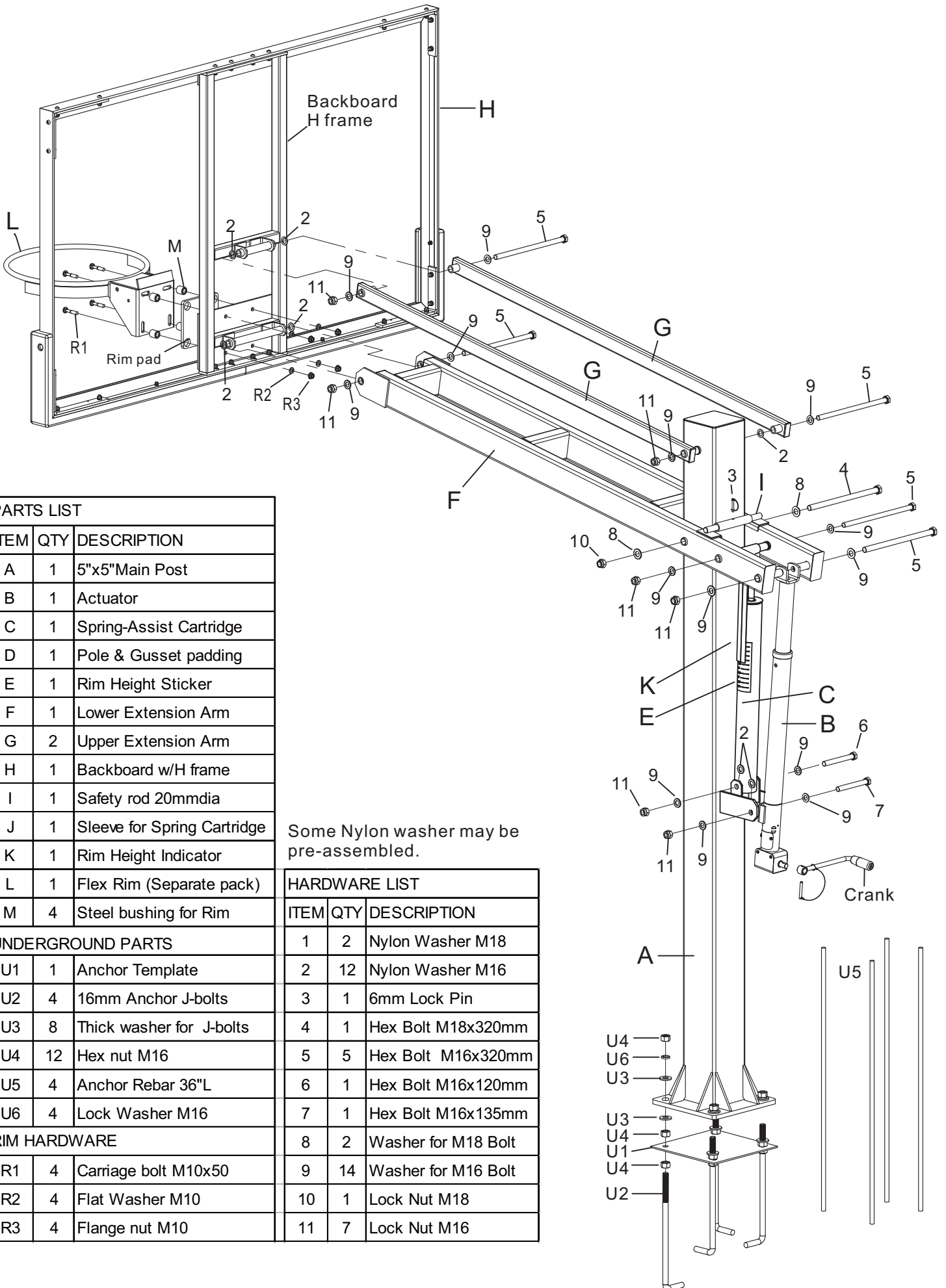
**SAFETY INSTRUCTIONS**



FAILURE TO FOLLOW THESE SAFETY INSTRUCTIONS MAY RESULT IN SERIOUS INJURY OR PROPERTY DAMAGE AND WILL VOID THE WARRANTY. The owner must ensure that all players know and follow these rules to safely operate the system. Proper and complete assembly, use and supervision is essential for proper operation and to reduce the risk of accident or injury. A high probability of serious injury exists if this system is not installed, maintained, or operated properly.

- If using a ladder during assembly, use extreme caution. Follow all warnings and cautions on the ladder carefully.
- 6 people are required to lift the unit into place.
- Before digging, contact the appropriate agency to locate underground power cables, gas, and water lines. Do not install the system within 20 feet of overhead power lines.
- Climate, corrosion, or misuse could result in system failure.
- If technical assistance is required, contact the manufacturer.
- Minimum operational height is 7'6" to the Rim. Most injuries are caused by misuse and /or failure to follow instructions. Use caution when using the system.

Verify all parts listed on packing list are present prior to installation. Contact our Customer Service at 620-662-2233 for assistance with replacement of any parts missing or damaged.



PARTS LIST		
ITEM	QTY	DESCRIPTION
A	1	5"x5"Main Post
B	1	Actuator
C	1	Spring-Assist Cartridge
D	1	Pole & Gusset padding
E	1	Rim Height Sticker
F	1	Lower Extension Arm
G	2	Upper Extension Arm
H	1	Backboard w/H frame
I	1	Safety rod 20mmdia
J	1	Sleeve for Spring Cartridge
K	1	Rim Height Indicator
L	1	Flex Rim (Separate pack)
M	4	Steel bushing for Rim
UNDERGROUND PARTS		
U1	1	Anchor Template
U2	4	16mm Anchor J-bolts
U3	8	Thick washer for J-bolts
U4	12	Hex nut M16
U5	4	Anchor Rebar 36"L
U6	4	Lock Washer M16
RIM HARDWARE		
R1	4	Carriage bolt M10x50
R2	4	Flat Washer M10
R3	4	Flange nut M10

Some Nylon washer may be pre-assembled.

HARDWARE LIST		
ITEM	QTY	DESCRIPTION
1	2	Nylon Washer M18
2	12	Nylon Washer M16
3	1	6mm Lock Pin
4	1	Hex Bolt M18x320mm
5	5	Hex Bolt M16x320mm
6	1	Hex Bolt M16x120mm
7	1	Hex Bolt M16x135mm
8	2	Washer for M18 Bolt
9	14	Washer for M16 Bolt
10	1	Lock Nut M18
11	7	Lock Nut M16

NOTE: Before digging, call to locate any buried utility lines.

NOTE: At rim height 10' , distance from the face of backboard to the front of Main Post(A) is 36" , Choose the proper location to dig for the concrete footing:

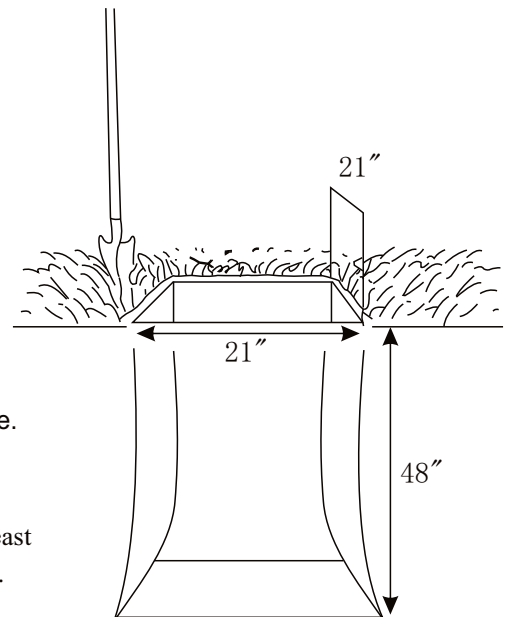
- a. Dig a hole 48" deep and 21"x 21"square . The edge of the hole should be flush with the edge of the playing surface. If you live in an area where heavy frost can occur, it may pose a problem, consult your local building inspector to determine the appropriate hole depth.

NOTE: The hole must be at least 48" deep.

- b. Build a form before pouring the concrete pad, to ensure that the top of the concrete remains straight and square. The form should be placed about 1/2" above the playing surface to allow for water drainage.
- c. Bell out the bottom of the hole.

NOTE: A square hole prevents the rotation of the concrete.

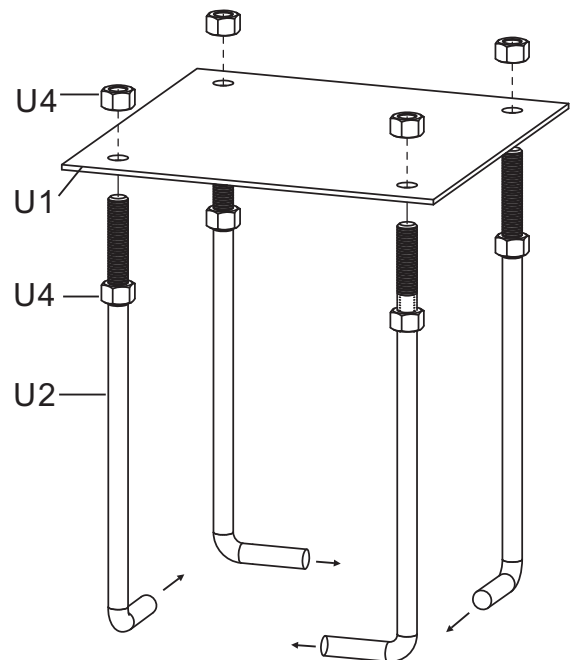
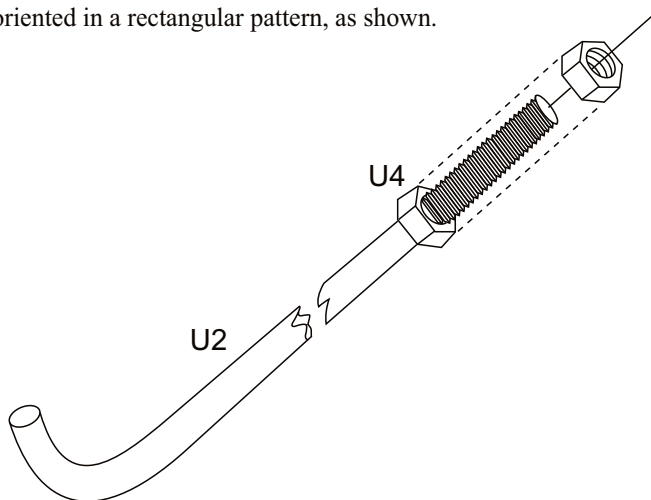
NOTE: The area behind the playing surface must be cleared off by at least 3 feet to enable the user to stand behind the pole to adjust the Rim height.



## STEP B

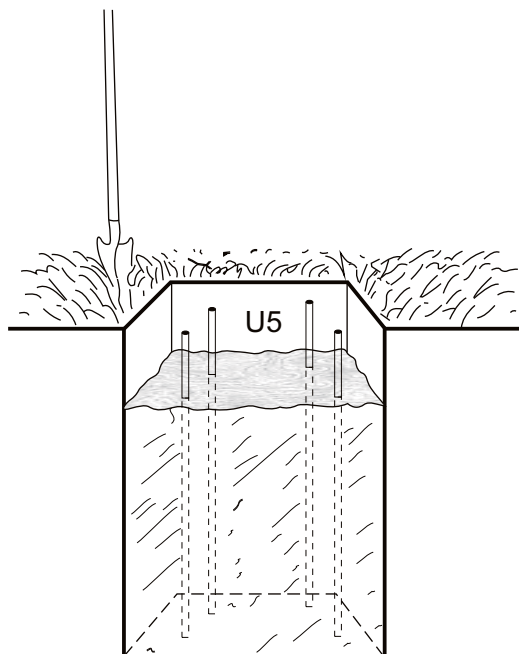
- A. Thread a 18mm Hex Nut (U4) onto each of the 18mm J-Bolts (U2). Securely tighten the Nuts all the way down to the end of the threads.
- B. Slide the threaded end of the J-Bolts through the holes in the Anchor Template (U1) and secure each J-Bolt with a 18mm J-Bolt Hex Nuts(U4) as shown. Securely tighten all Nuts at this time.

NOTE: Make sure the curved "J" ends of the J-Bolts are oriented in a rectangular pattern, as shown.



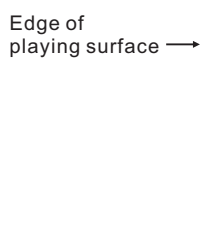
## STEP C

- Mix the concrete according to the instructions on the bags. Note that a thicker mix of concrete will dry stronger than a thin mix. Pour the concrete into the hole, stopping approximately 18 inches from the top of the hole.
- Insert the four pieces of Anchor Rebar (U5) into the hole, pushing each piece firmly to the bottom of the hole. The four pieces should be arranged in a square approximately 8 inches wide so that each piece of rebar will be positioned next to the J-Bolts when the J-Bolt Template is placed in the cement.
- Finish filling the hole to the top with concrete. The top of the concrete should reach just above the level of the top of the form.



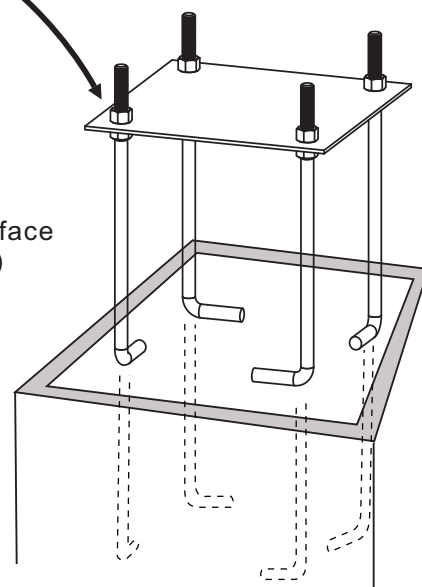
## STEP D

- Position the J-Bolt Template (U1) over the hole as shown, with the sides of the plate square with the sides of the hole.
- Push the J-Bolts (U2) into the concrete until the J-Bolt Template is resting flat against the surface of the concrete.
- Grasp the tops of the J-Bolts and agitate the Template assembly back and forth repeatedly to eliminate any air bubbles in the concrete. Lift the Template slightly above the concrete when agitating. Make sure the Template is resting on the concrete after agitating. Form the concrete into a downward slope away from the Pole to allow water runoff.
- Clean off any concrete that may be on the J-Bolt Template or the exposed portions of the J-Bolts.
- Using a carpenter's level, make sure the Template is square to and level with the playing surface.
- Allow the concrete to cure for a minimum of 5-7 days before installing the rest of your basketball system. In cold, wet weather or humid climates, allow additional time for the concrete to cure.



This side faces playing ground

Playing surface (Front side)



**YOU ARE NOW FINISHED WITH THE INITIAL ASSEMBLY STEPS. DO NOT PROCEED WITH THE ASSEMBLY UNTIL THE CONCRETE HAS FULLY CURED. CURING WILL TAKE A MINIMUM OF 72 HOURS. IN HUMID CLIMATES OR WET WEATHER, ALLOW ADDITIONAL TIME FOR THE CONCRETE TO CURE.**



## WARNING



NEVER USE THE SYSTEM WITHOUT FOLLOWING THE CEMENTING INSTRUCTIONS. FAILURE TO FOLLOW ALL OF THESE INSTRUCTIONS AND WARNINGS COULD LEAD TO SERIOUS PERSONAL INJURY OR PROPERTY DAMAGE AS LISTED ON PAGE ONE.



# WARNING



**\*BECAUSE OF THE SIZE AND WEIGHT OF THE SYSTEM, A MINIMUM OF THREE ADULTS ARE REQUIRED FOR THE FOLLOWING STEPS\***

## STEP1

- A. Slide a 18mm Thick Washer (U3) over each of the J-Bolts(U2) as shown in FIGURE 1A.
- B. Remove the Padding from Main Post (A). Place the Main Post (A) over the J-Bolts. Slide a 18mm Thick Washer(U3), a Lock washer M18 (U6) and thread a 18mm Hex Nut (U4) to each J-bolt. Tighten the Nuts only a few turns onto the J-Bolts as shown in FIGURE 1B.
- C. If the Main Post (A) is not exactly vertical, adjust the 18mm J-Bolt Hex Nuts(U4) located under the Post base. Tighten all of the Hex Nuts(U4) Above Post base when Main Post(A) is vertical.

NOTE: Face the Main Post(A) with Actuator Bracket facing away from playing court(as shown in FIGURE 1C).

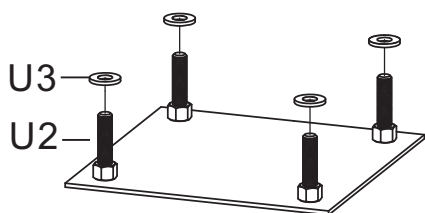


FIGURE 1A

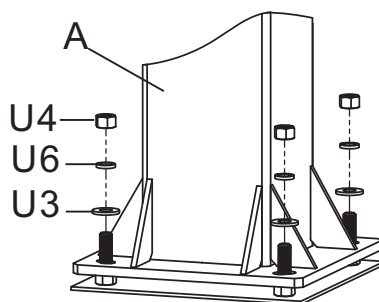


FIGURE 1B

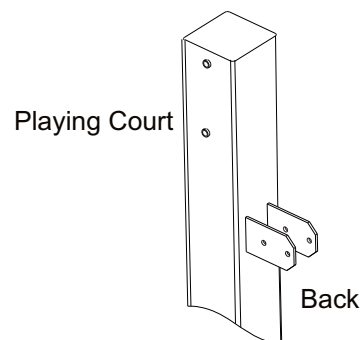


FIGURE 1C

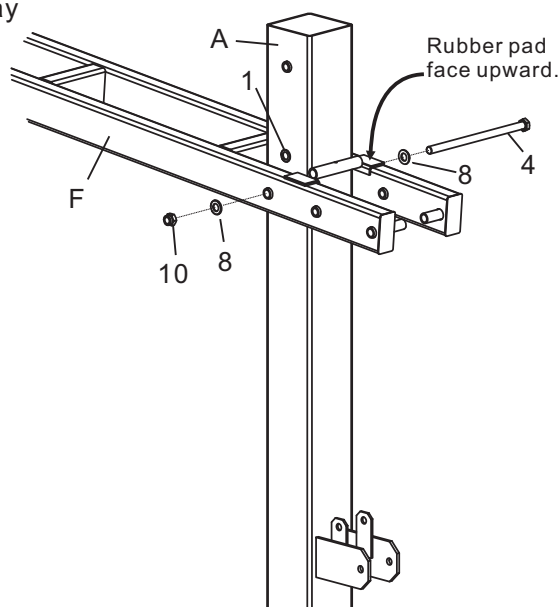
## STEP2

- A. Slide the Main Extension Arm (F) over the top of the Main Post (A) and attach to the lower pivot tube with one Hex bolt M18x320mm (#4), two Flat washer M18 (#8), two Nylon washers M18 (#1), and one Lock nut M18 (#10).

Do not over tighten this bolt and nut.

*Note: make sure the Nylon washers locate between Main Extension Arm (F) and Main Post (A).*

Nylon washer #1 may be factory installed



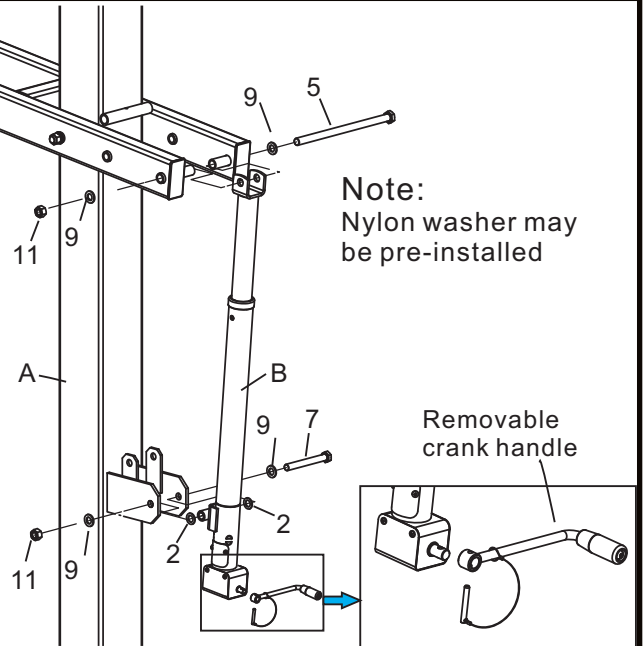
### STEP 3

- A. Connect Actuator to Main Extension arm.**  
Place the upper bracket of Actuator(B) between the last set of welded tubes on the Main Extension Arm (F), attach the two parts using Hex bolt M16X320mm (#5), two Flat Washers M18 (#9), one Lock nut (#11).

- B. Connect Actuator(B) to the mounting bracket welded in the middle of Post (A),** using one Hex Bolt M16x135mm (#7), two flat Washers for M16 Bolt (#9), two Nylon Washers (#2), and one Lock Nut for M16 bolt (#11).

*Note: make sure Nylon washers go between Actuator and Mounting Bracket.*

- C. Attached Crank handle to the actuator.** Slide Removable Crank handle onto the shaft sticking out of Gear Box (Actuator), lock it in place with attached pin.



### STEP 4

- A.** Slide Steel Sleeve (J) thru the tube welded at the top end of Spring-Assist Cartridge (C). Place the top of Spring-Assist between Main extension (F), align the Steel Sleeve (J) with the second set of welded tubes on the Main Extension Arm (F), place the Plastic rim Height Indicator (K) beside the Spring-Assist Cartridge (C). Slide one Washer M16 (#9) over one Hex Bolt M16x320mm (#5), and slide this Bolt all the way thru Main Extension Arm (F), one Nylon washer M16(#2), Steel Sleeve (J), Rim Height indicator (K), another Nylon washer (#2) and the other side of Main Extension Arm (F). Secure it with one Flat Washer M16 (#9), and One Lock nut M16 (#11).

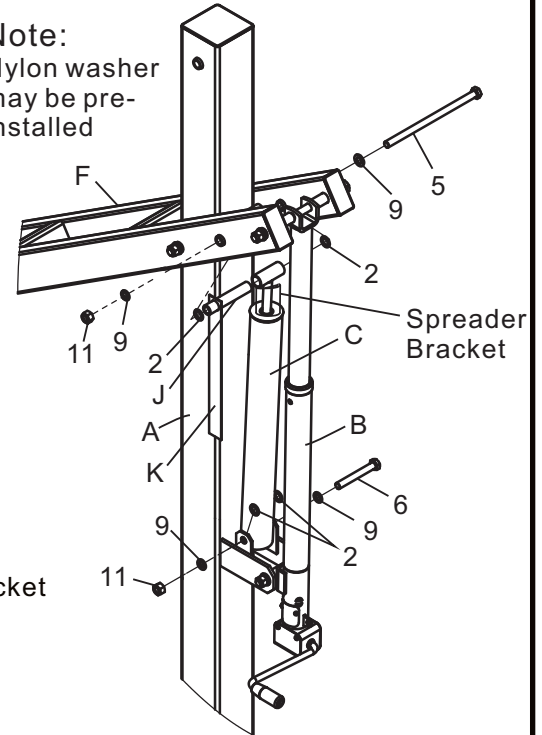
Do not over tighten this bolt because this is the pivot point.

Make sure the Stainless steel Rim Height Indicator(K) hang freely along side of Spring-Assist Cartridge.

*Nylon washer locates between Steel sleeves (J) and Main Extension Arm (F).*

- B.** Attach the bottom of Spring-assist Cartridges to the Main pole Bracket by using a Hex Bolt M16x120mm (#6),two Flat Washers M16 (#9), Two Nylon Washers M16 (#2) and one Lock Nut M16 (#11).

**Note:**  
Nylon washer may be pre-installed

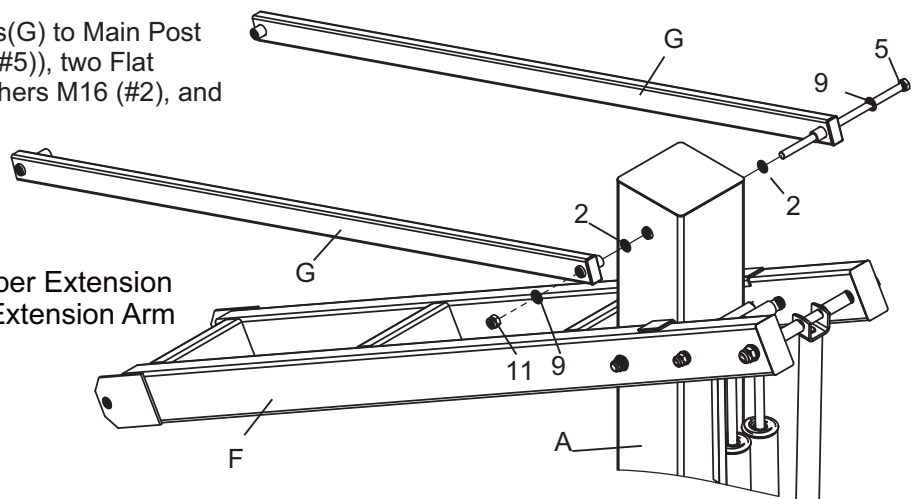


- C.** Remove and discard the spreader Bracket from the Spring Cartridge.

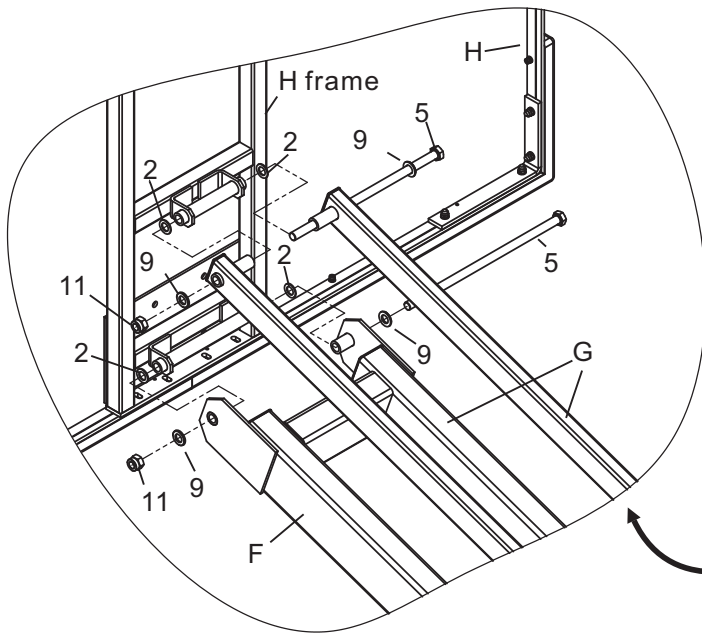
### STEP 5

- A.** Attach the 2 Upper Extension Arms(G) to Main Post (A), with a Hex Bolt M16x320mm (#5), two Flat Washers M16 (#9), two Nylon washers M16 (#2), and One Lock Nut(#11).

**CAUTION:** Injury may occur if Upper Extension Arms are allowed to fall off Main Extension Arm during assembly.



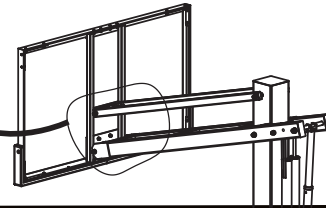
### STEP 6



- A. Attach the Backboard to Main Extension Arm(F) by using one Hex Bolt M16x320 (#5), two Flat Washers M16 (#9), two Nylon washers M16 (#2), one Lock nut M16 (#11).

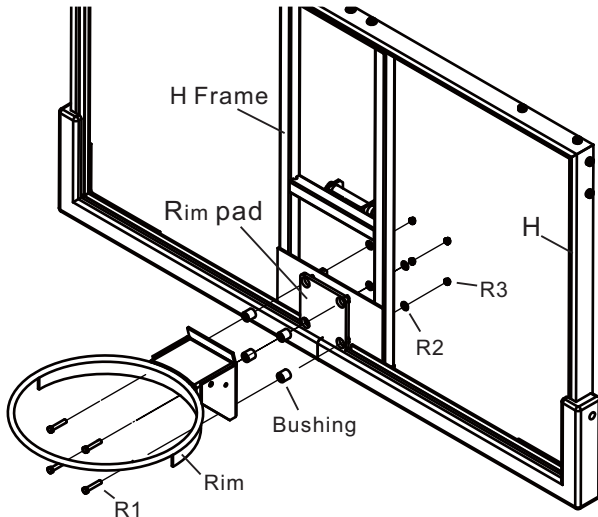
*Note: Nylon washers go between Main extension Arm Bracket (F) and Backboard H frame.*

- Repeat the same process with Upper Extension Arm (G) by using one Hex Bolt M16x320 (#5), two Flat Washers M16 (#9), two Nylon washers M16 (#2), one Lock nut M16 (#11).



**Note:**  
*Crank the Main extension arm down as low as possible before installing backboard.*

### STEP 7



- A. Insert the 4 Plastic and Steel Spacers(M) into the 4 holes on the backboard.

**CAUTION:** Do not proceed with rim installation without these spacers!

- B. Remove the screws on Rim spring box cover, open the Spring box. (*Rim cover may be separate in the package*)

- C. Mount the rim to the H-frame Backboard Mount(H) and Backboard Assembly using the hardware supplied in rim box.

- D. Re-attach Spring box cover to the Rim with removed screws.

**NOTE:** Use a level to make sure rim is level side to side before tightening nuts.

### STEP 8

- A. After everything is square, make sure all nuts on the system have been tightened.

**NOTE:** But do not over tighten the Nuts, make sure the unit can be adjusted up and down.

- B. To apply the Rim Height Sticker(In the manual pack), first use a tape measure to crank rim up to exactly 10' from the playing surface. Use a pencil to make a mark on the Spring-assist Cartridge(C) where the bottom of the Rim Height Indicator(K) stops. Then, peel and apply Rim Height Sticker to outside of Spring-assist Cartridge(C) lining up the pencil mark with the 10' mark on the Rim Height Sticker. See detail A.

- C. Attach Post Pad and Gusset Pad to Main Post(A) as shown.

- D. Slide Safety Rod (I) thru the tube welded on the backside of Main Post (A), align the holes each other and secure it with one Lock Pin 6mm (#3). See detail B.

